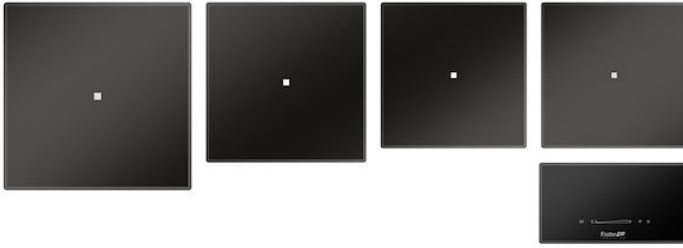


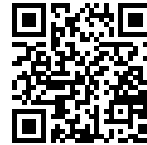
SPOT CARRE 4 FOYERS



Induction Hobs

Code: I365 N40

Système modulaire à libre positionnement du plan de travail



DETAILS

Coloring Black

Edge/Installation Type Bevelled Edge - for flush-mount or over-mount installation

Material Ceramic glass

Supply 230 - 380 V (50/60 Hz)

Full description Quadra Modular Composition - 4 fields - black

Heating element Four zones

Built-in hole [View technical data sheet](#)

Notes: [Connection box included](#)

Total power 7.400 W

Left 2.300 (3.000)* W

Centre-left 1.100 (1.400)* W

Centre-right 1.100 (1.400)* W

Right 2.300 (3.000)* W

Power settings 9 power settings per zone + Powerboost

Safety Safety equipment

Type Induction Hob

Type of commands Touch Control

Constraints The arrangement of the elements is subject to constraints dictated by the lengths of the connection cables. Refer to the individual component specifications.

Notes: * Powerboost

FEATURES

Powerboost Booster function provides increased power to the selected plate. In particular, when the Booster is activated, the plate works for ten minutes at a very high power that allows to heat quickly large quantities of water.

Pot detector All induction cooker hobs detect the pot resting on them, but they also calculate the area they cover. This system allows the energy to be used even more efficiently. Moreover, the plates switch off automatically when the pot is removed.

Smart fan system

Correct ventilation is essential for the induction hob to function in the best possible way. The Foster system automatically regulates the amount of ventilation to suit the temperatures reached.

End-of-cooking programming

All operations are programmed by means of the touch-control on the glass itself. Each cooking plate is capable of independent programming, and thus the possibility to set different cooking times.

Slider commands

The Slider control allows for extremely quick temperature setting: with a light touch of the finger you may select the desired power level on the TOUCH display.

Timer

Independent timer from the end-of-cooking function.

Heat maintenance

Function that allows the food to be kept warm gently (70° C), without reaching boiling temperatures or risking to burn the sauce.

Go&stop function

This device initially turns on the plates at maximum power until the selected temperature has been reached.

Recall

This feature allows you to call back the last settings selected in the previous cooking.

Pause

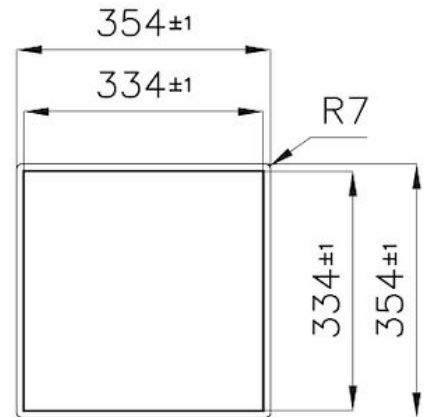
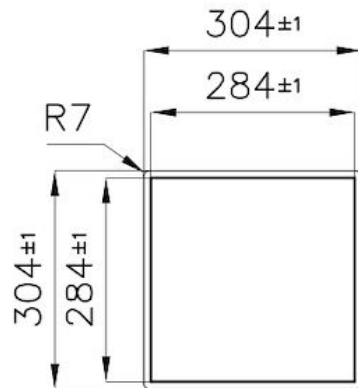
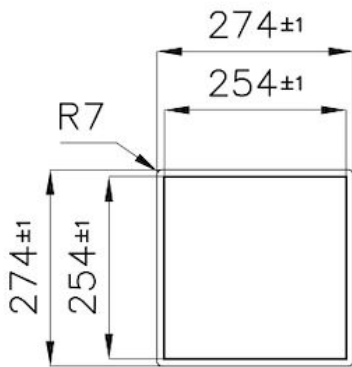
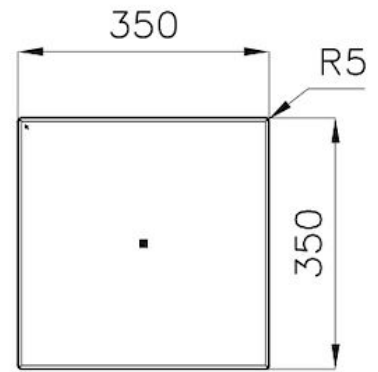
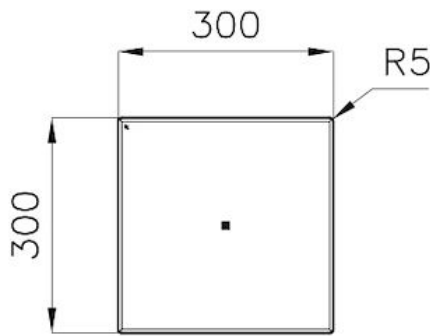
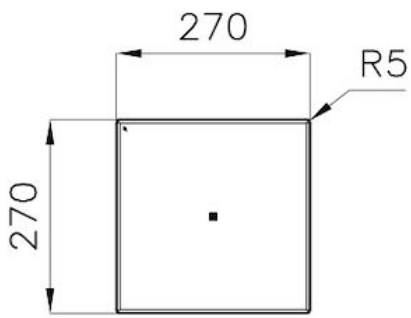
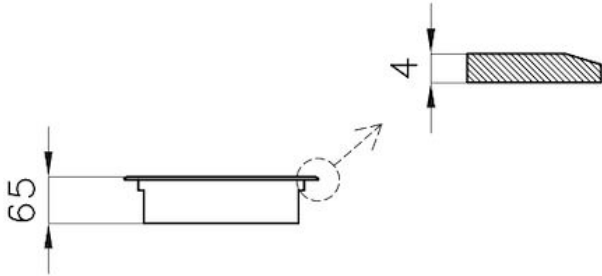
Useful function that allows you to distract your attention from cooking, interrupting and restoring the settings immediately.

Safety

All electric cooker hobs feature the most modern and sophisticated safety protections: Centralised power-off function; Child-proof safety lock; Residual heat warning lights. Induction models feature the following functions: Safety System that turn off the hob in the absence of the pot; Overflow detector that automatically turns off the plate in case of liquid overflow; Automatic deactivation to prevent accidents caused by forgetfulness.

TECHNICAL DATA

7364270
7365300
7366350



GALLERY

